

# PVJ POWER

# NEW PRODUCT LAUNCH

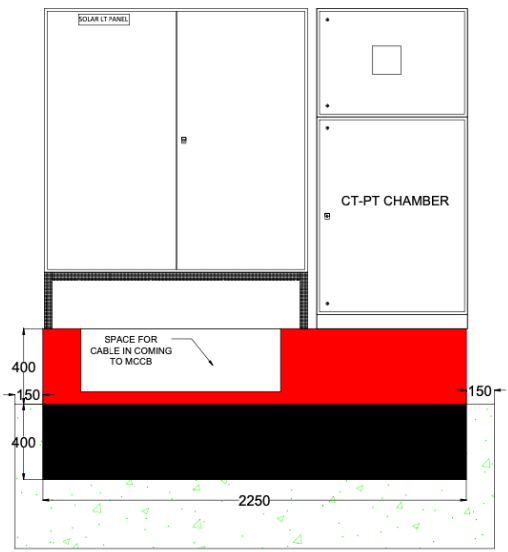


## PVJ POWER Pad-Mounted/ Skid-Mounted Substation: A Compact Powerhouse

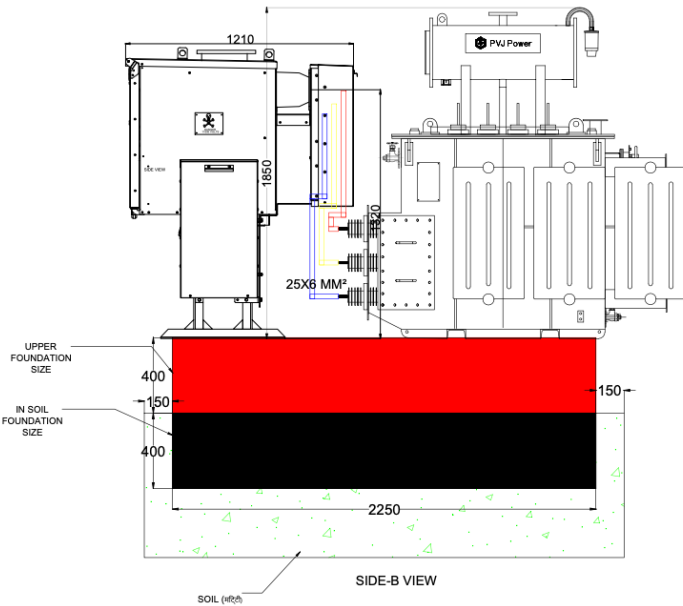
### Key Components:

- HT VCB Panel/RMU + HT Metering Panel
- Distribution Transformer/ Solar Inverter Duty Transformer
- Low-Voltage Panel switch Switchgear

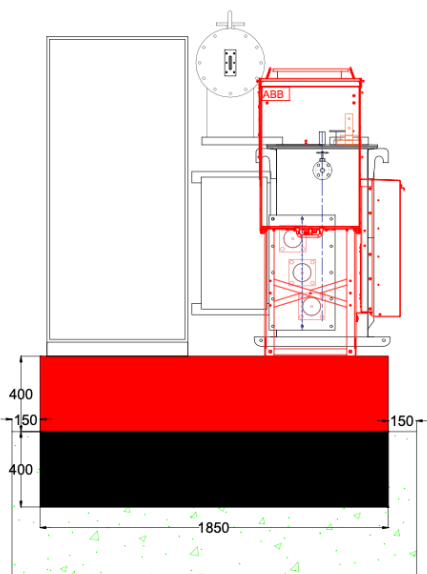
All these equipment are connected directly via busbar & are mounted on a common Base Frame Platform for easy handling & installation.



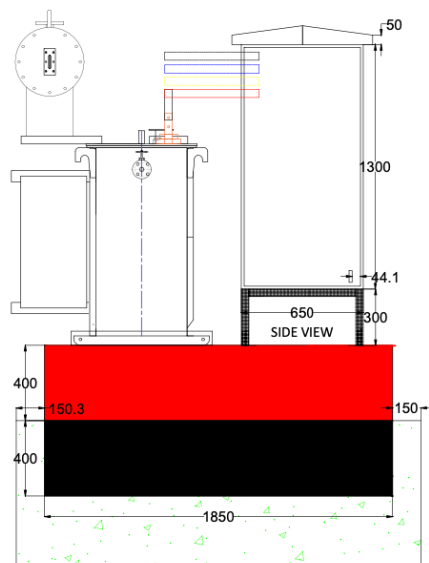
SIDE-A VIEW



SIDE-B VIEW



SIDE-C VIEW



SIDE-D VIEW

### Advantages of PVJ Power Pad-Mounted Substations:

- **Compact Design:** Requires minimal space, making them ideal for urban areas with limited land availability.
- **Ease of Installation:** Prefabricated units can be quickly installed on a prepared concrete pad.

- **Reduced Maintenance:** Enclosures protect components from environmental factors, reducing maintenance needs.
- **Improved Safety:** Enclosures and safety interlocks minimize the risk of electrical shock.
- **Aesthetically Pleasing:** Can be designed to blend with the surrounding environment.



**Contact:**

+91-98166-38097, +91-70189-96212

marketing@pvjpower.in

www.pvjpower.in